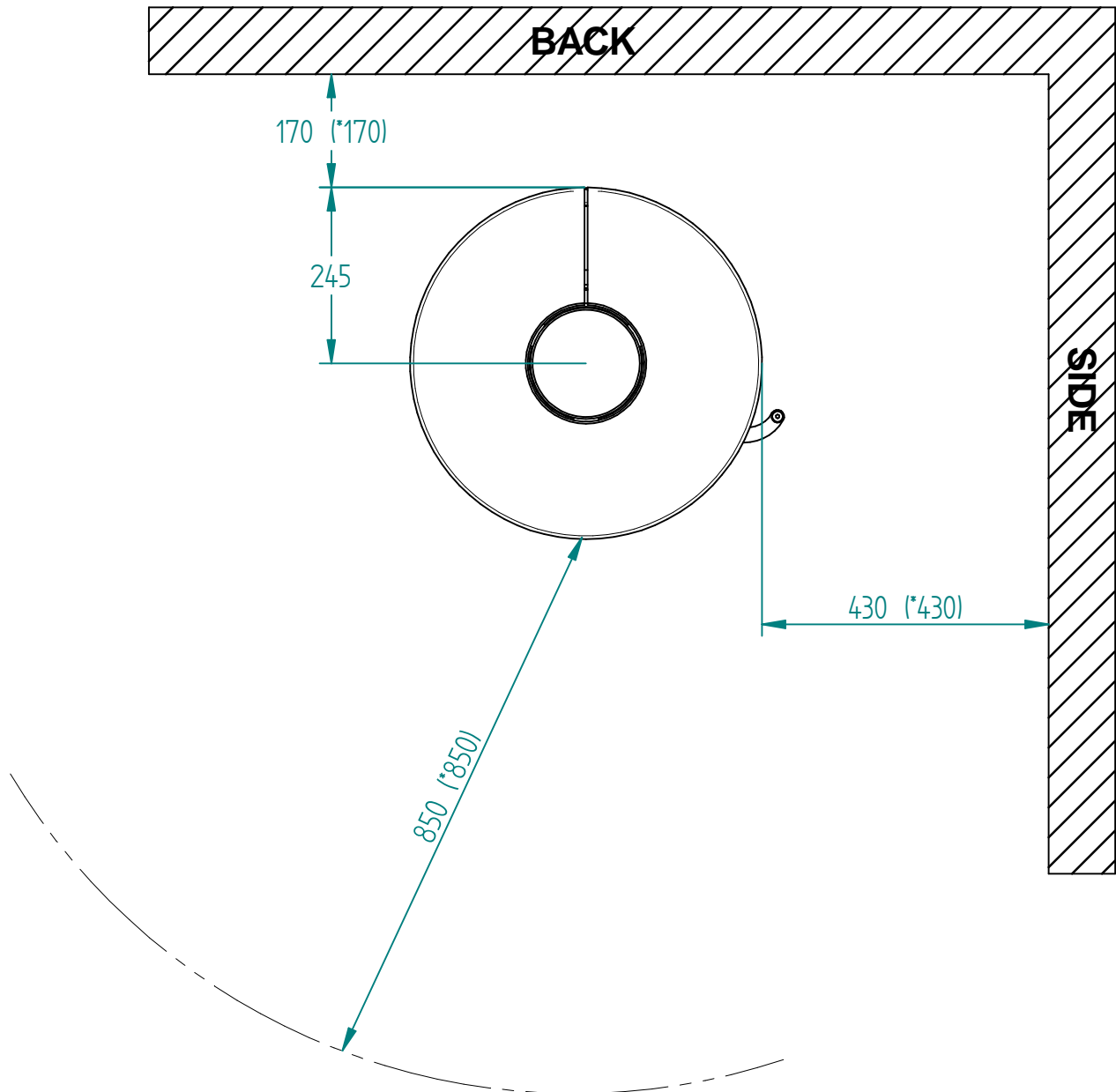


Model:

Omega

Sheet/Sheets: 1 / 2

Date: 06/09-2021



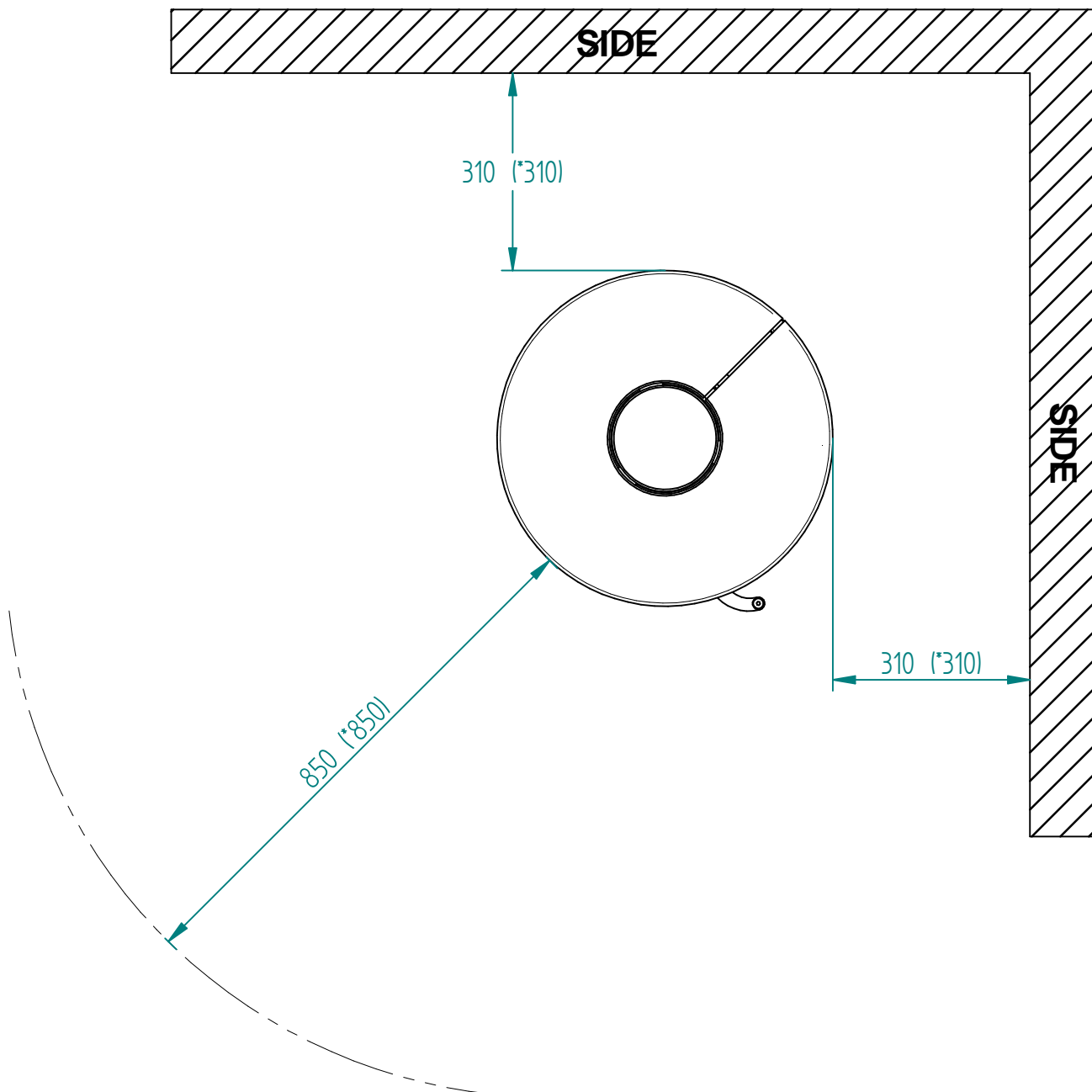
* The number given in parentheses shows the distance to combustible when titled with insulated flue

Model:

Omega

Sheet/Sheets: 2 / 2

Date: 06/09-2021



* The number given in parentheses shows the distance to combustible when tilted with insulated flue