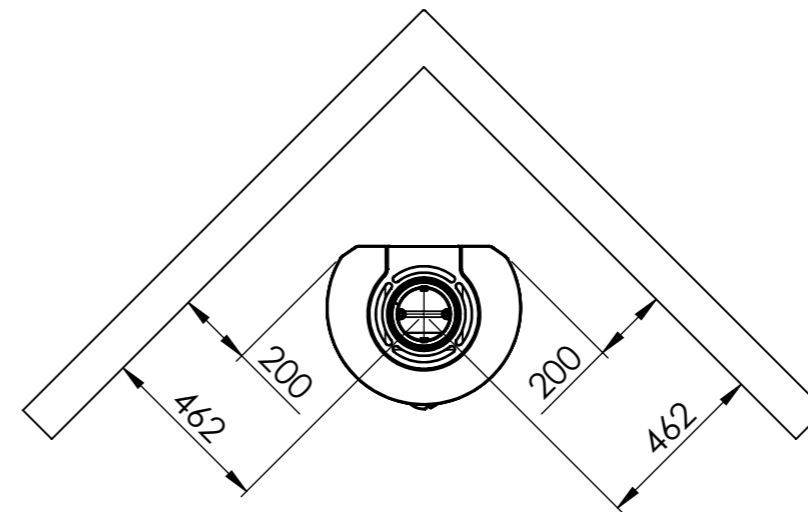
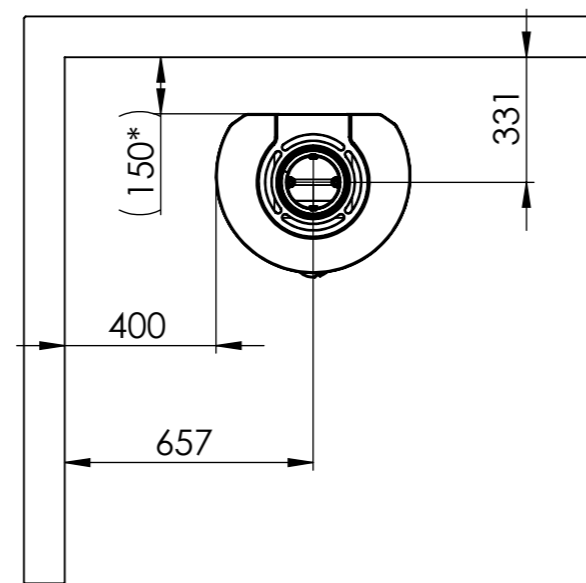
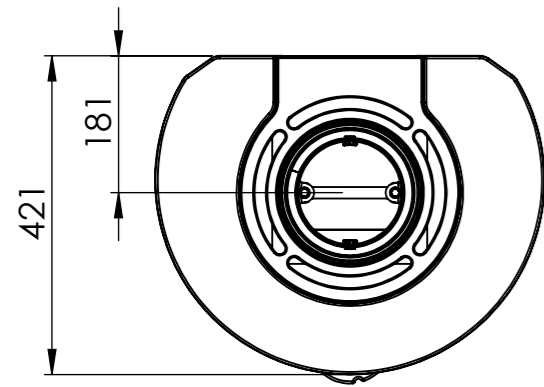
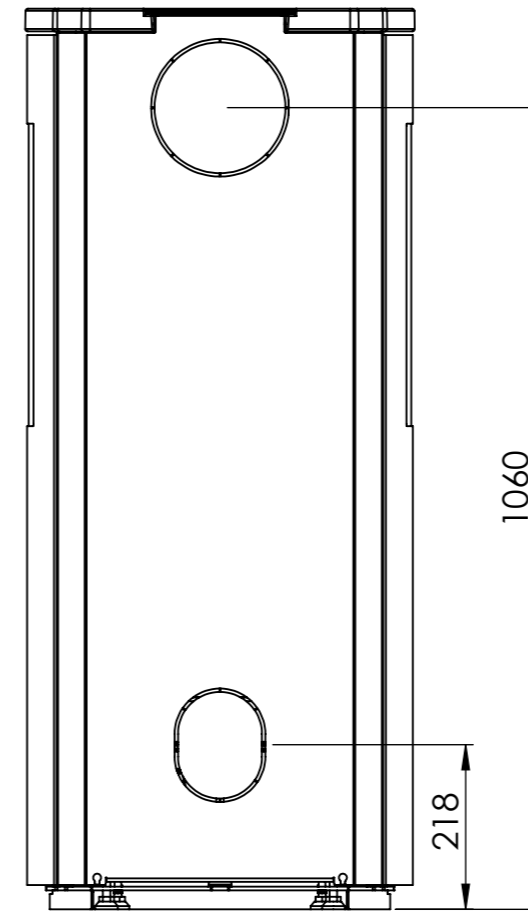
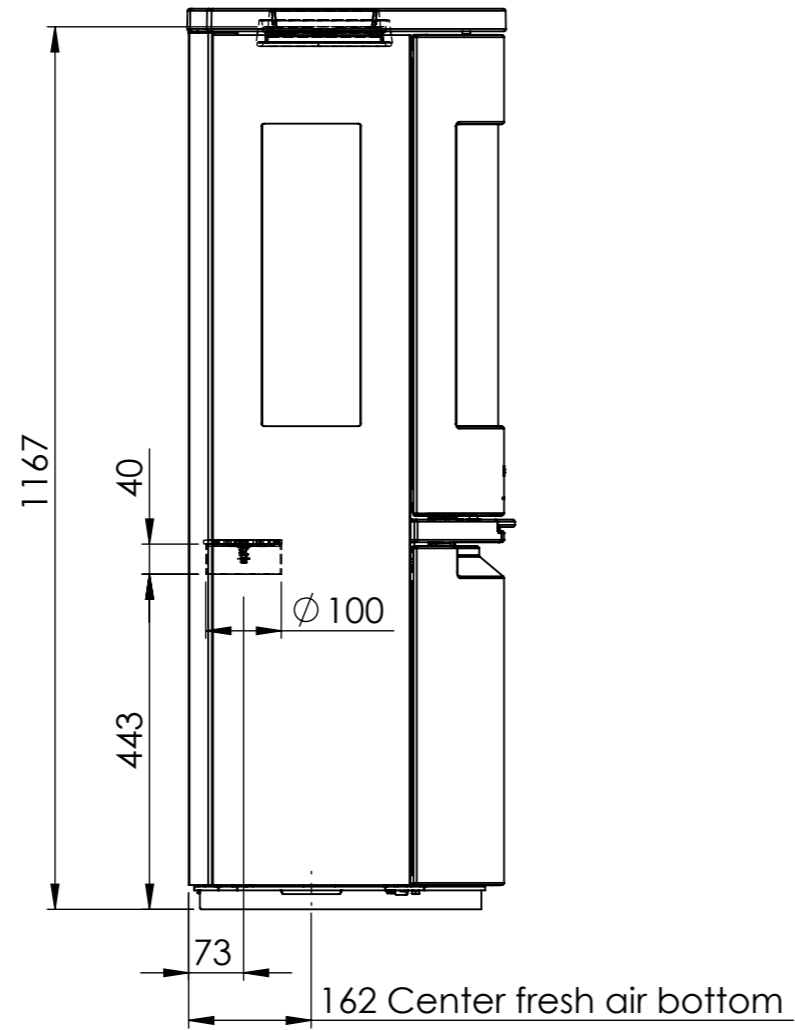
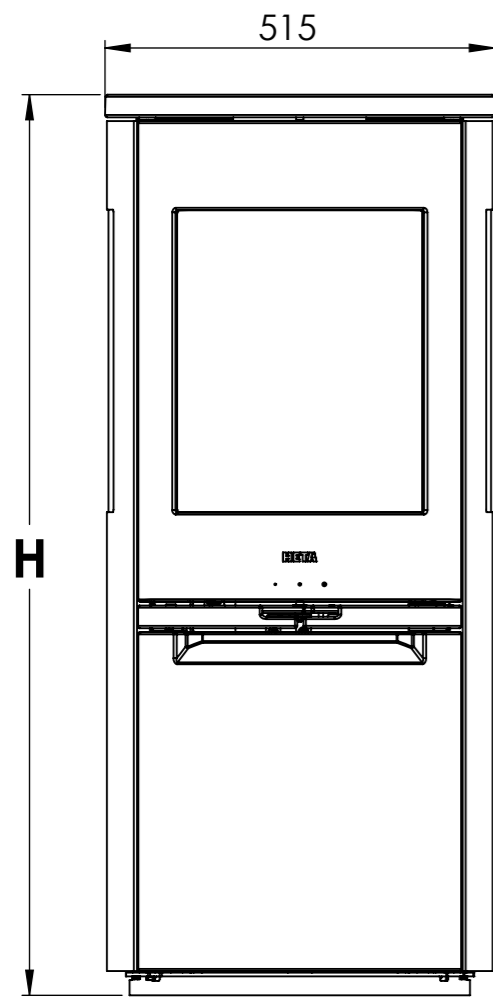




Serie	Scan-Line 900
Description	Steel / Stone - Side windows



	Casted top	Stone
H	1191	1211

* 125 mm With insulation/ shielding of the flue gas connector

